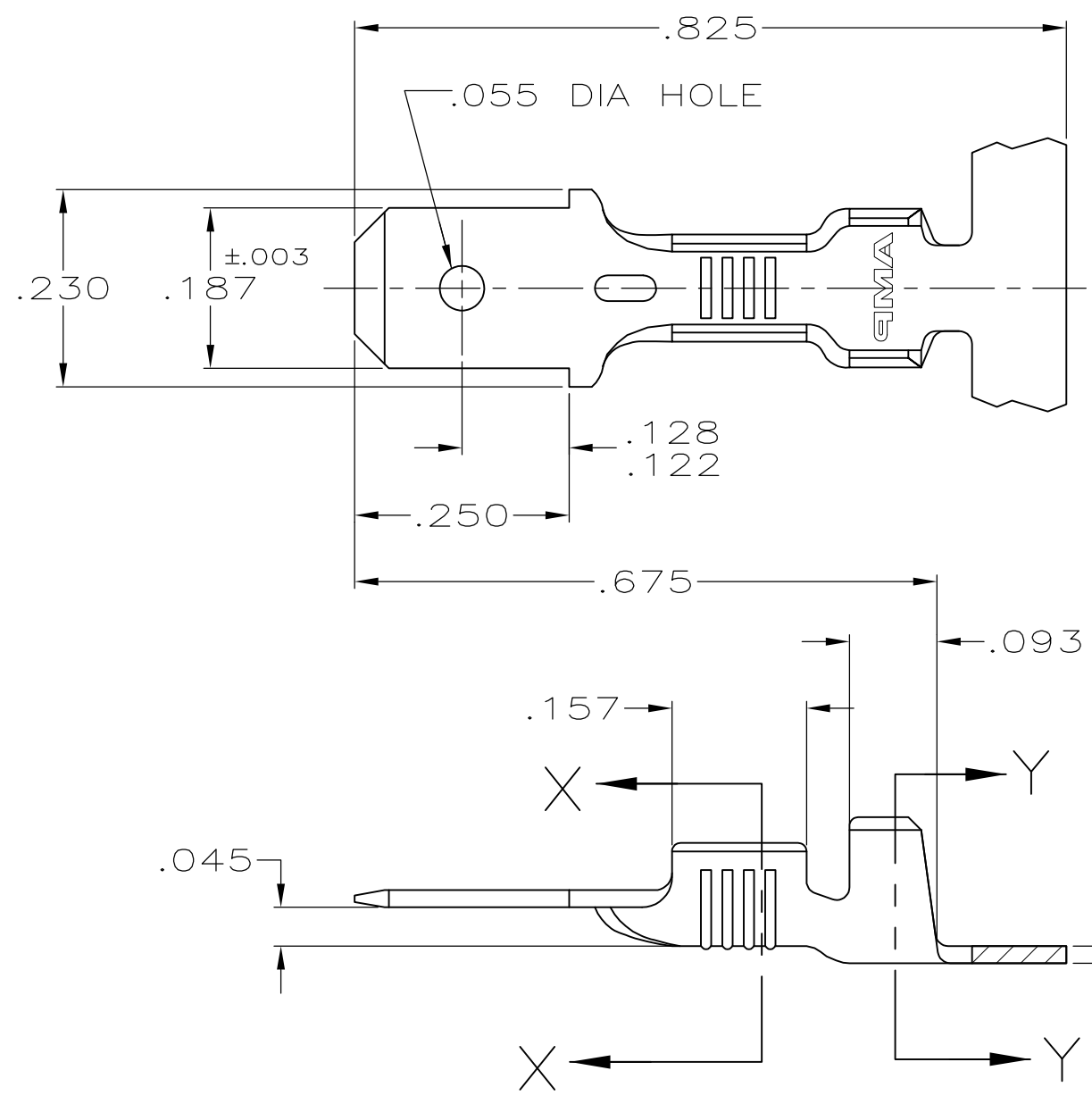
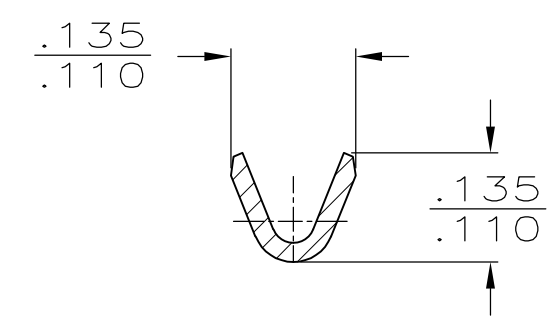


THIS DRAWING IS UNPUBLISHED. RELEASED FOR PUBLICATION  
 © COPYRIGHT - By - ALL RIGHTS RESERVED.

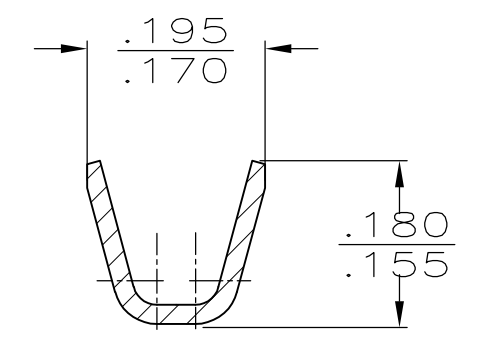
LOC	DIST	REVISIONS			
P	LTR	DESCRIPTION	DATE	DWN	APVD
AF	50	M	REVISED PER ECR-13-011489	06DEC2013	KH PD



- 1 CONTINUOUS STRIP ON REELS.
- △ 2 REVERSE REELING.
- 3 FEED TO BE .440±.003.
- △ 4 PRELIMINARY - NOT FOR PRODUCTION.



SECTION X-X



SECTION Y-Y

FINISH / MATERIAL	INSULATION RANGE	WIRE SIZE	PART NO
.000150 MIN SILVER / BRASS	.080-.120 DIA	22-18 AWG	△ 4 42490-6 △ 2
.000150 MIN NICKEL / STEEL			△ 4 42490-5
-			△ 2 42490-4
TIN / BRASS			△ 2 42490-3
OBSOLETE			42490-2
OBSOLETE			42490-1

THIS DRAWING IS A CONTROLLED DOCUMENT.		DWN	JR RUTH	1/31/91	<b>STE</b> TE Connectivity					
DIMENSIONS: INCHES		CHK	MS FEHER	1/31/91						
TOLERANCES UNLESS OTHERWISE SPECIFIED:		APVD	C MEYERS	1/31/91						
0 PLC ± - 1 PLC ± - 2 PLC ± - 3 PLC ± .015 4 PLC ± - ANGLES ± -		PRODUCT SPEC		NAME						
MATERIAL	SEE TABLE	FINISH		SEE TABLE	APPLICATION SPEC - WEIGHT -					
CUSTOMER DRAWING			SIZE	A3	CAGE CODE	00779	DRAWING NO	C-42490	RESTRICTED TO	-
			SCALE	5:1	SHEET	1 OF 1	REV	M		